

HCY series Manual Pallet Truck



Thickened steel plate



Reinforced chain



Sealed cylinder



Updated forks



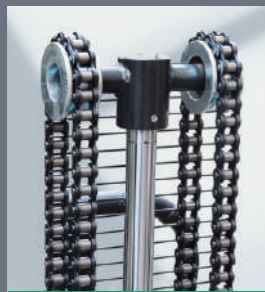
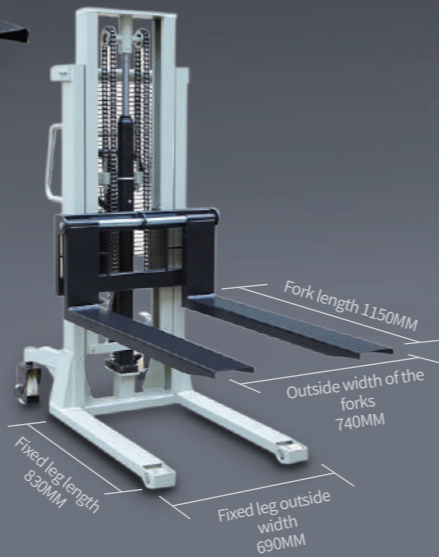
Wear-resistant casters



High power



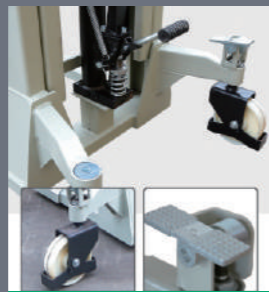
High load capacity



Thickened and reinforced chain
Manganese steel large chain, smooth lifting, reinforced rotation, safer cargo transportation



Sealed big cylinder
Powerful driving core, capable of carrying heavy loads
Smooth lifting and lowering



Thickened support legs, no deformation
Thickened steel for the legs
Strong load-bearing capacity, safe and stable



Thickened protective net design
High-strength protective mesh is adopted to ensure work safety

Item/Model	Unit	Simplex mast model		
		HCY1016	HCY1516	HCY2016
Rated loading capacity	kg	1000	1500	2000
Max. lifting height	mm	1600	1600	1600
Fork lowered	mm	85	85	85
Outside fork width	mm	740	740	740
Fork length	mm	1150	1150	1150
Single fork dimensions (CxE)	mm	150 X 60	150 X 60	150 X 60
Outside width of fixed leg	mm	690	690	690
Single fixed leg dimensions	mm	100 X 50	100 X 50	100 X 50
Rated load capacity at the highest point	mm	1000	1200	1500
Vehicle static height from the highest point	mm	2080	2080	2080
Overall length	mm	1800	1800	1800
Overall width	mm	800	800	800
Overall height	mm	2080	2080	2080
Small front wheel dimensions	mm	φ74 X 70	φ74 X 70	φ74 X 70
Big rear wheel dimensions	mm	φ180 X 50	φ180 X 50	φ180 X 50
Service weight	kg	270	280	290

Simplex mast model



Duplex mast model



Item/Model	Unit	Duplex mast model						
		HCY1020	HCY1025	HCY1030	HCY1520	HCY1525	HCY1530	HCY2020
Rated loading capacity	kg	1000	1000	1000	1500	1500	1500	2000
Max. lifting height	mm	2000	2500	3000	2000	2500	3000	2000
Fork lowered	mm	85	85	85	85	85	85	85
Outside fork width	mm	740	740	740	740	740	740	740
Fork length	mm	1150	1150	1150	1150	1150	1150	1150
Single fork dimensions (CxE)	mm	150 X 60	150 X 60	150 X 60	150 X 60	150 X 60	150 X 60	150 X 60
Outside width of fixed leg	mm	690	690	690	690	690	690	690
Single fixed leg dimensions	mm	100 X 50	100 X 50	100 X 50	100 X 50	100 X 50	100 X 50	100 X 50
Rated load capacity at the highest point	mm	800	700	600	1000	900	800	1200
Vehicle static height from the highest point	mm	2580	3080	3580	2580	3080	3580	2580
Overall length	mm	1800	1800	1800	1800	1800	1800	1800
Overall width	mm	800	800	800	800	800	800	800
Overall height	mm	1580	1830	2080	1580	1830	2080	1580
Small front wheel dimensions	mm	φ74 X 70	φ74 X 70	φ74 X 70	φ74 X 70	φ74 X 70	φ74 X 70	φ74 X 70
Big rear wheel dimensions	mm	φ180 X 50	φ180 X 50	φ180 X 50	φ180 X 50	φ180 X 50	φ180 X 50	φ180 X 50
Service weight	kg	320	340	360	330	350	370	340